

RELUME LOW BAY LED FIXTURES

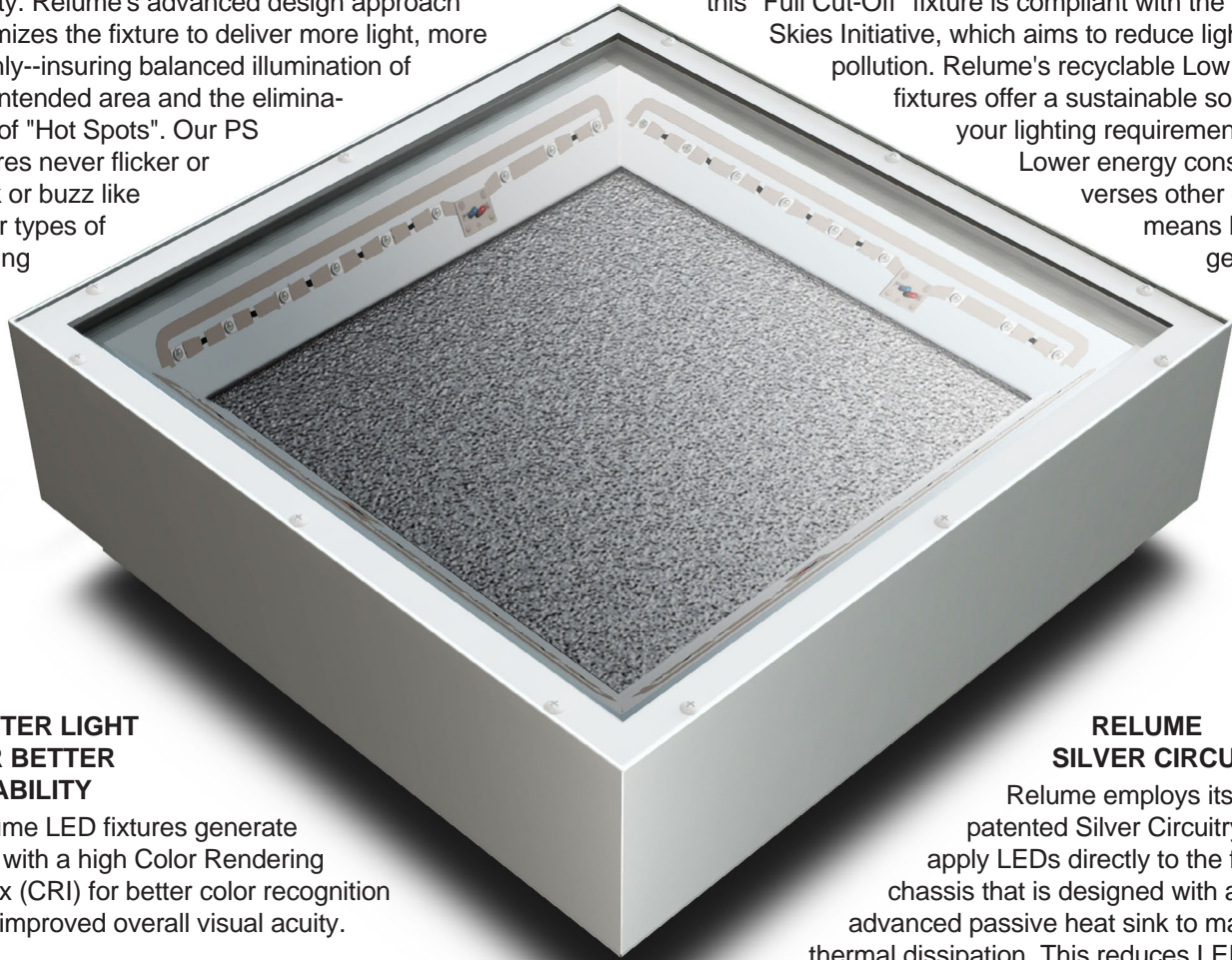
Relume's Low Bay LED Fixture is the energy saving solution for parking structures, canopies, tunnels and downlight applications requiring superior visibility.

CRISP WHITE LIGHT EVENLY DISTRIBUTED

Relume white LED light arrays utilize CREE LEDs to provide a crisp daylight look for excellent visibility and safety. Relume's advanced design approach optimizes the fixture to deliver more light, more evenly--insuring balanced illumination of the intended area and the elimination of "Hot Spots". Our PS fixtures never flicker or blink or buzz like other types of lighting can.

ENVIRONMENTALLY FRIENDLY

Energy efficient, mercury-free, lead-free, (RoHS compliant) and manufactured from 48% recycled aluminum, this "Full Cut-Off" fixture is compliant with the Dark Skies Initiative, which aims to reduce light pollution. Relume's recyclable Low Bay fixtures offer a sustainable solution for your lighting requirements. Lower energy consumption verses other options means lower CO₂ generation.



BETTER LIGHT FOR BETTER VISIBILITY

Relume LED fixtures generate light with a high Color Rendering Index (CRI) for better color recognition and improved overall visual acuity.

LONG LIFE = LESS MAINTENANCE

Up to 15-years of LED lamp life, versus 3 years for metal halide, means far fewer re-lampings. In fact, maintenance savings alone make Relume LED fixtures less expensive on a lifecycle basis than conventional fixtures.

50% ENERGY SAVINGS

Drawing just 80w to 136w of power depending on the model, Relume's Low Bay LED fixtures provide energy savings of up to 50% over conventional HID lighting sources.

RELUME SILVER CIRCUITRY™


Relume employs its patented Silver Circuitry™ to apply LEDs directly to the fixture chassis that is designed with an advanced passive heat sink to maximize thermal dissipation. This reduces LED junction temperatures. Less heat retained at the LED allows Relume Low Bay lights to burn brighter and last longer than competing LED fixtures.

SENTINEL SYSTEM READY

All Relume PS series fixtures are compatible with Sentinel System Lighting controls for even greater energy and cost savings.

For more information, visit www.relume.com or call: (248) 969-3800

WATTWORKS

1078 Goodale Blvd. Columbus, OH 43212
614-458-1162  www.wattworks.com

Relume®

RELUME LED LOW BAY FIXTURES

PS Series

- Increased Visibility
- Reduced Energy Consumption
- Decreased Maintenance
- Eliminated “Hot Spots”
- Relume Silver Circuitry™
- Dark Skies Friendly
- Sentinel System compatible



Models/Configurations	PS1	PS1 (T3)	PS2	PS2 (T3)	PS3
LEDs	32	24	48	42	56
System Watts	80	65	118	106	136
Total Flux (lumens)	4412	3178	6761	5625	8181
Efficacy (Lumens/Watt)	55.2	49.2	57.2	53.2	60
Light Pattern	TYPE V	TYPE III	TYPE V	TYPE III	TYPE V

LED LIGHT COLOR/ QUALITY

High output LEDs range from 5,500K to 7,000K on the Kelvin temperature scale. They are rated to maintain at least 70% of initial lumen output for 75,000 or more hours at an ambient average temperature of 60°F and for 55,000 or more hours at an ambient average temperature of 80°F.

HOUSING

Aircraft Quality 6061 aluminum. Rugged, maintenance free. All PS fixtures are wet rated for outdoor use (IP65) and are powder coated with high performance polyester resin, available in 4 standard colors.

LENSES

Each LED module is protected by a high-impact, UV stabilized, non-yellowing polycarbonate lens. A light diffusing prismatic lens is also available.

ELECTRICAL

Each power supply (driver) operates from a 50-60 HZ +/- 3 HZ AC line over a voltage ranging from 120 to 277 volts or 347- 480 volts. The driver is highly efficient with a power factor of greater than 0.91 and a total harmonic distortion (THD) of less than 20%. Fluctuations in line voltage have no effect on the luminous output. The driver has voltage surge protection to withstand high repetition noise transients while meeting Radio Frequency Interference (RFI) emission limits set forth in FCC Title 47, Subpart B, Section 15.

WIRING

All wiring conforms to requirements set forth in Section 13.02 of the ITE Publication: Equipment and Material Standards, Chapter 2.

ENVIRONMENTAL

All Relume Light engines fully comply with the Restriction of Hazardous Substances Directives (RoHS) adopted in February 2003 by the European Union and are fully recyclable.

QUALITY ASSURANCE

Relume light engines have been independently tested and passed FDOT environmental requirements A615-2 (Operating Voltage and Frequency), A615-4 (Temperature and Humidity), A615-5 (Vibration), A615-6 (Shock), A615-7 (Transients: Power Service, Input-Output Terminals and Non-Destruct Transient Immunity). PS-Series fixtures are UL wet rated. In production, each Light engine is burned-in and certified by Relume’s internal QA process. A quality control tracking label, including date of manufacture, is mounted on the inside of each fixture for full ISO 9001:2008 compliance.

LEDs

Relume uses high quality CREE LEDs.

WARRANTY

Relume guarantees unsurpassed quality by offering an industry leading 7 year limited warranty. Contact Relume for complete warranty language, exceptions, and limitations.



1078 Goodale Blvd. Columbus, OH 43212
614-458-1162 www.wattworks.com

For more information, visit www.relume.com or call: (248) 969-3800

RELUME LED LOW BAY FIXTURES

PS Series

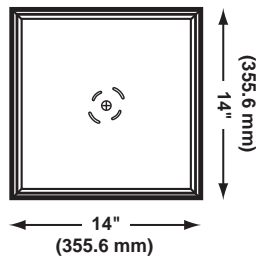


MODEL/PART NUMBER	PS1	PS1 (T3)
	PS2	PS2 (T3)
	PS3	

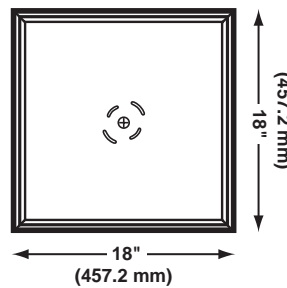
OPTIONS	Color	Mounting Method	Lens ¹	Voltage ²
	(G) - Gray (W) - White (B) - Black (DB) - Dark Bronze	(C) - Ceiling/Arm ³ (T) - Trunnion ⁴ (P) - Pendant	(CL) - Clear (PR) - Prismatic (DP) - Drop	(S) 120v - 277v (H) 347v - 480v

TOP & BOTTOM DIMENSIONS CEILING/ARM MOUNT BACK

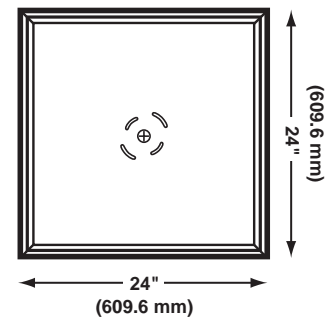
PS1/PS1 (T3)
Initial Delivered Lumens: 4412/3178
System Watts: 80w/65w



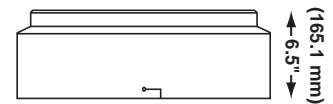
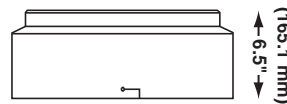
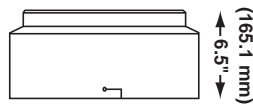
PS2/PS2 (T3)
Initial Delivered Lumens: 6761/5625
System Watts: 118w/106w



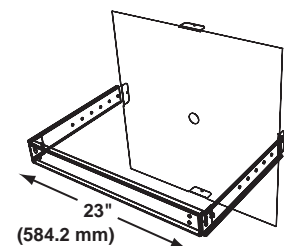
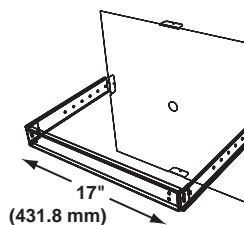
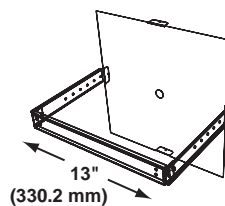
PS3
Initial Delivered Lumens: 8181
System Watts: 136w



SIDE DIMENSIONS



TRUNNION MOUNT



NOTES:

1. Additional Cost for Prismatic or Drop Lens.
2. Additional Cost for 347v-480v power supply.
3. Mounting arm not included.
4. Trunnions are sold separately and must be ordered.

Additional Mounting Options: Relume Low Bay Fixture can also be pendant-mounted using standard conduit light fixture hanger hardware (not provided) contact Relume for details.

Sentinel System installation information – contact Relume.



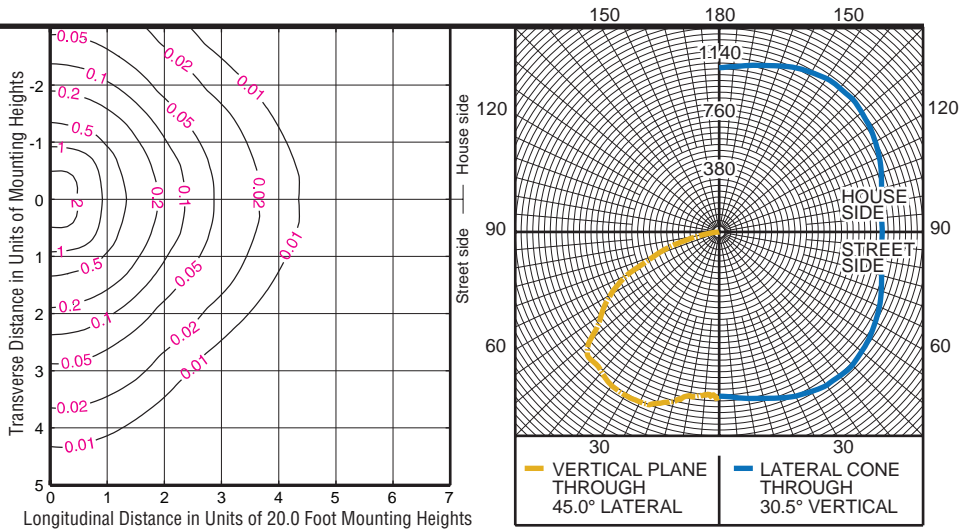
1078 Goodale Blvd. Columbus, OH 43212
614-458-1162 www.wattworks.com

For more information, visit www.relume.com or call: (248) 969-3800

PS1

LTL Report #14868

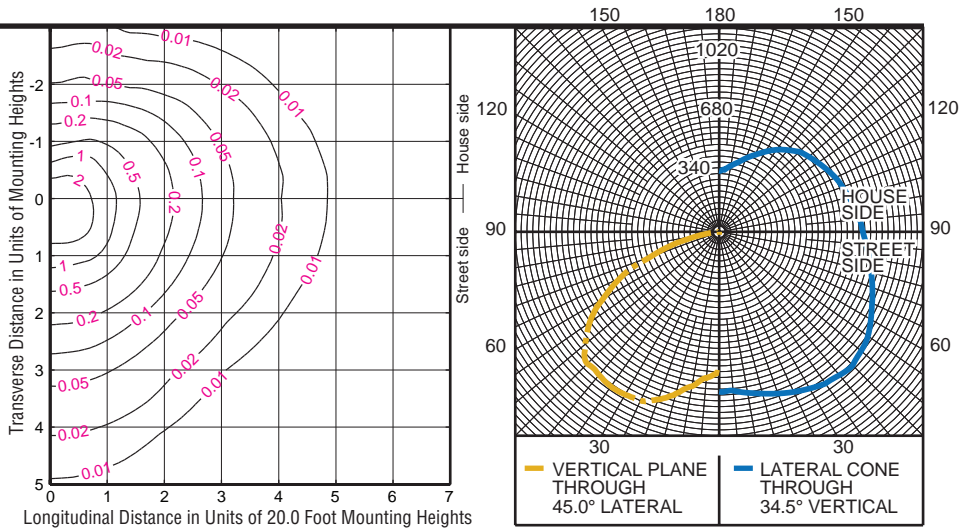
Initial Delivered Lumens: 4412
System Watts: 80W



PS1 (T3)

LTL Report #18501

Initial Delivered Lumens: 3178
System Watts: 65W



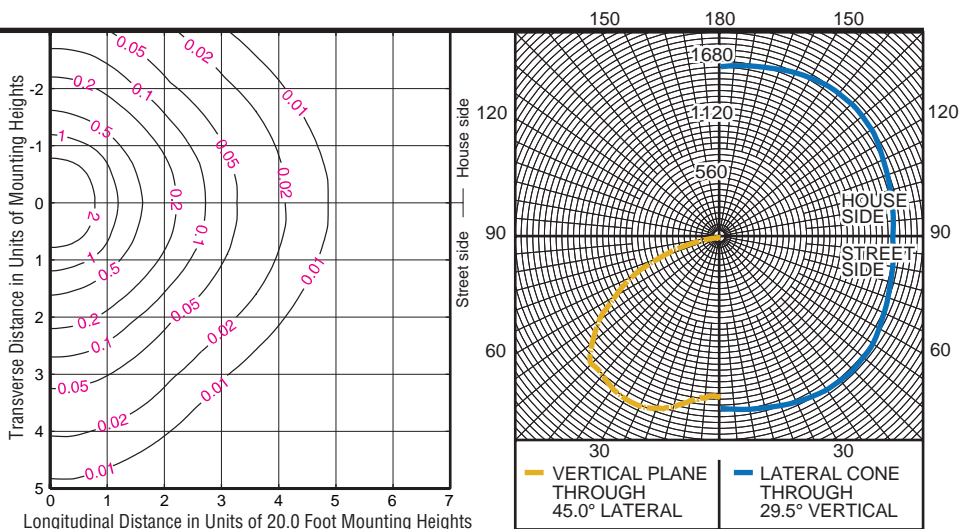
PS2

LTL Report #15125

Initial Delivered Lumens: 6761
System Watts: 118W

All photometric testing was conducted by Luminaire Testing Laboratory, Inc.

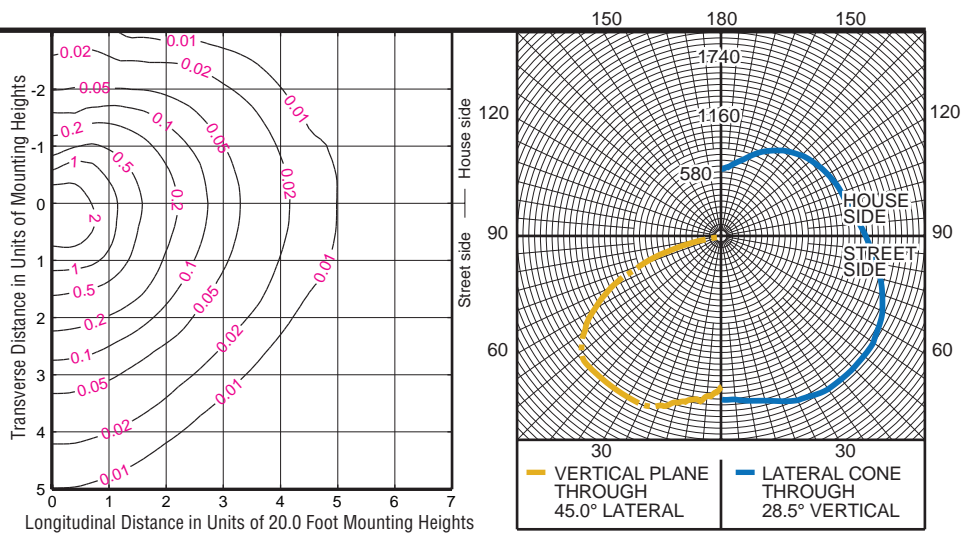
Testing was performed in accordance with IES LM-79-08.



PS2 (T3)

LTL Report #18499

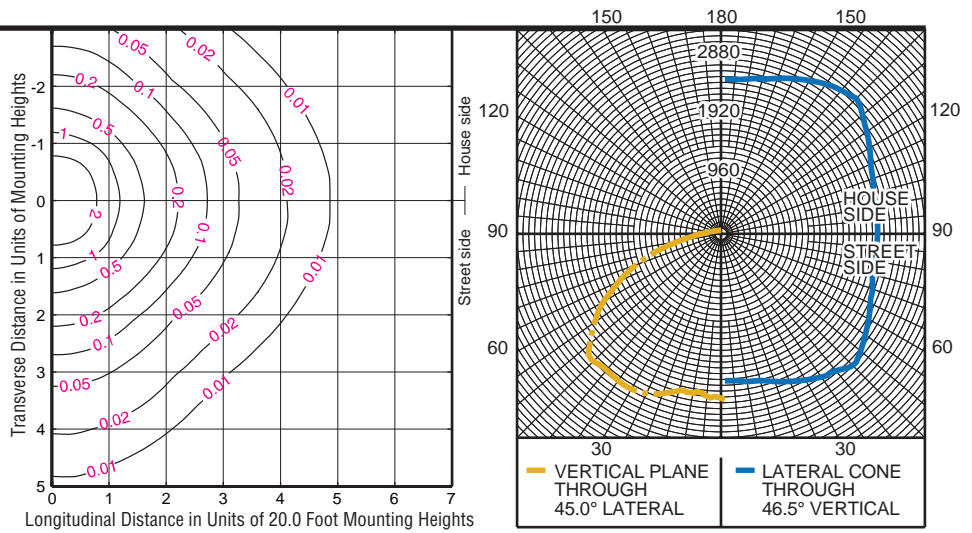
Initial Delivered Lumens: 5625
System Watts: 106W



PS3

LTL Report #18535

Initial Delivered Lumens: 8181
System Watts: 136W



All photometric testing was conducted by Luminaire Testing Laboratory, Inc.

Testing was performed in accordance with IES LM-79-08.

For more information, visit www.relume.com or call: (248) 969-3800