



LR4-Engine

LED Lighting Solutions

- LR4E-15
- LR4E-15C
- LR4E-30
- LR4E-30C

INSTALLATION INSTRUCTIONS

LR4-Engines (all versions) are designed for both Insulated (completely buried in insulation) and Non-insulated applications.

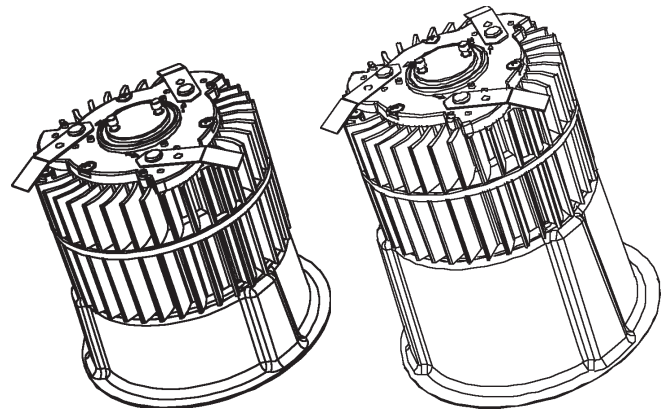
Designed for use in 120 volt, 60 hertz protected circuit (fuse box, circuit breakers) and 90° C rated supply wire.

LR4E is for use with a H4 recessed pan assembly and must be used within an enclosed recessed can. See installation instructions for H4 for more information.

Important Safety Information

READ ALL INSTRUCTIONS BEFORE INSTALLATION

1. Before installing this fixture or doing any maintenance, make sure to turn off the power supply at the circuit breaker or fuse box.
2. Check to make sure that all recessed can connections have been properly made and the fixture is grounded to avoid potential electrical shocks.
3. Do not handle energized fixture with wet hands, when standing on wet or damp surfaces, or in water.

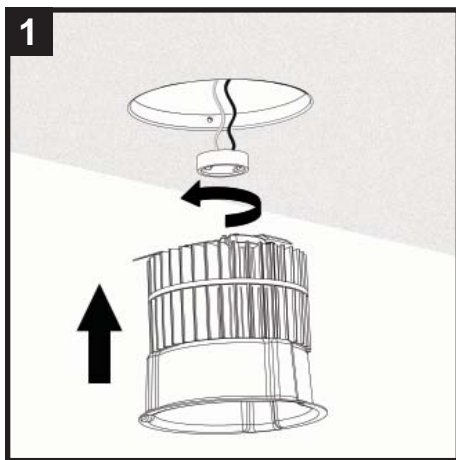


15° Shield Angle
LR4E-15
LR4E-15C

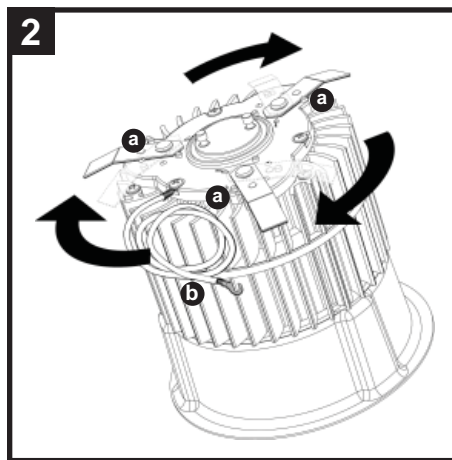
30° Shield Angle
LR4E-30
LR4E-30C

Installing the LR4E

NOTE: These instructions are for use with all LR4E

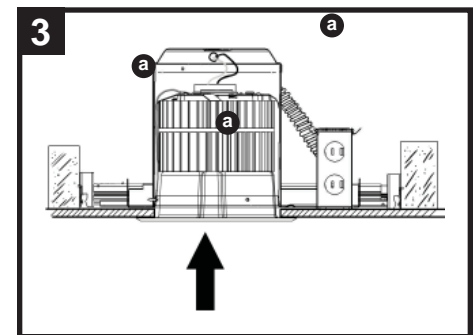


1. Remove taped GU-24 socket from side wall of recessed can and pull down to attach to the top of the LR4E. Align pins and socket and turn clockwise until locked.



2. Remove the LR4E from the packaging and rotate the "Flip Clips" clockwise until the pointed tip of the clip lines up with the arrow on the metal base. Loosen one of the screws inside the H4 can. Unwind the green ground wire [b] and hook it over the

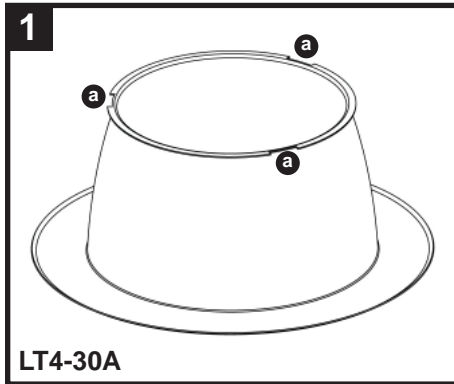
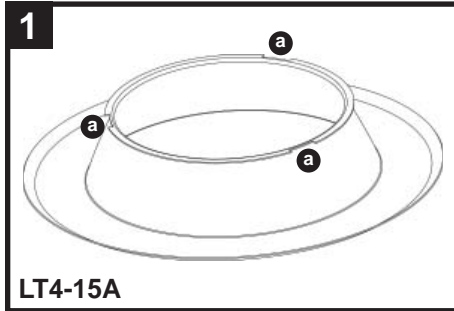
screw. Re-tighten screw to secure ground hook.



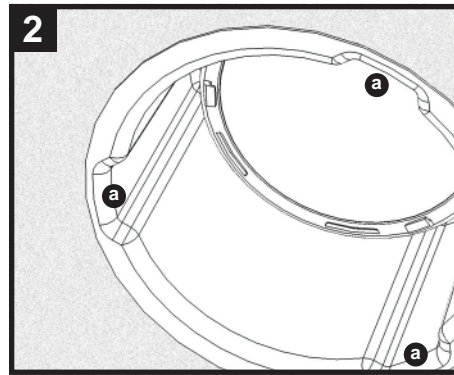
3. Push the LR4E with the flip clips in the ready position up into recessed can until the bottom flange of the LR4E is flush with the ceiling. The LR4E should be firmly gripping the can. To remove the LR4E rotate counter-clockwise until clips release and you can pull the unit down.

Installing Reflector Trim

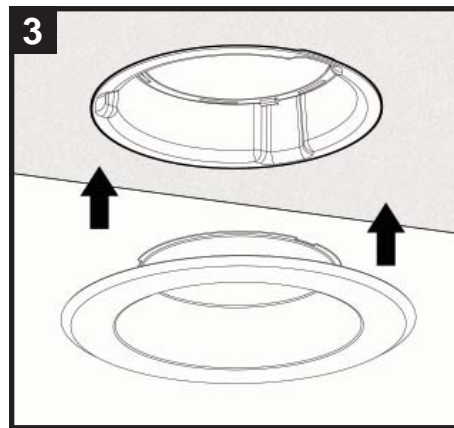
NOTE: For both 15° & 30° Trims



1. Note the three slotted recesses [a] in the top flange of the reflector trim at 120 degrees to each other. These correspond to tabs on the lens bezel of the LR4E.

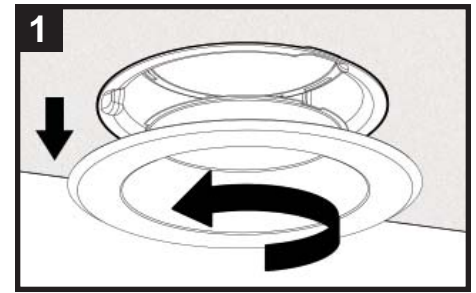


2. Align the three slots on the top flange of the reflector with the tabs [a] on the lens bezel of the LR4E.



3. Push reflector firmly against lens and rotate 15-30 degrees clockwise until all three bezel tabs are gripping onto the reflector.

Removal of Installed LR4E



1. Remove the reflector trim by rotating trim counter-clockwise and gently pulling down until the reflector trim disengages from the lens.

2. Rotate LR4E counter-clockwise until clips release and you can pull the unit down.

3. Turn GU-24 socket counter-clockwise until unlocked from pins and remove.

NOTE: This device is not intended for use with emergency exit fixtures or emergency exit lighting.

LIMITED WARRANTY

The limited warranty set forth below is given by Cree, LED Lighting Solutions, Inc. ("CreeLLS") with respect to the lighting product packaged with this limited warranty (the "Product"). Your Product, when delivered to you in new condition in its original packaging, is warranted against defects in materials or workmanship as follows: for a period of three (3) years from the date of original purchase, defective parts or a defective Product returned to CreeLLS, or its authorized service providers, as applicable, and proven to be defective upon inspection, will be repaired, or exchanged for a new Product, as determined by CreeLLS, or the authorized service provider. This limited warranty covers all defects encountered in normal use of the Product, and does not apply in the following cases: (a) Loss of or damage to the Product due to abuse, mishandling, alteration, accident, electrical current fluctuations, failure to follow operating, maintenance or environmental instructions prescribed by CreeLLS in writing or services performed by someone other than CreeLLS or an authorized service provider. WARRANTY IS VOID IF PRODUCT IS NOT USED FOR THE PURPOSE FOR WHICH THIS PRODUCT IS MANUFACTURED. Any complaints you may have regarding the product should be addressed to Cree, LED Lighting Solutions, Inc., Keystone Technology Park VI, 635 Davis Drive, Suite 100, Morrisville, NC 27560.

NO IMPLIED WARRANTY, INCLUDING ANY IMPLIED WARRANTY OF MERCHANTABILITY OR FITNESS FOR A PARTICULAR PURPOSE, APPLIES TO THE PRODUCT AFTER THE APPLICABLE PERIOD OF THE EXPRESS LIMITED WARRANTY STATED ABOVE, AND NO OTHER EXPRESS WARRANTY OR GUARANTY, EXCEPT AS MENTIONED ABOVE, GIVEN BY ANY PERSON OR ENTITY WITH RESPECT TO THE PRODUCT SHALL BIND CREE LLS. (SOME STATES AND PROVINCES DO NOT ALLOW LIMITATIONS ON HOW LONG AN IMPLIED WARRANTY LASTS, SO THE ABOVE LIMITATION MAY NOT APPLY TO YOU.)

This device complies with part 15 of the FCC Rules. Operation is subject to the following two conditions: (1) This device may not cause harmful interference, and (2) this device must accept any interference received, including interference that may cause undesired operation.

CAUTION:

Any changes or modifications not expressly approved by the party responsible for compliance could void the user's authority to operate the equipment.

U.S. Patent # 7,213,940; D571,944
U.S. and Foreign Patents Pending
Designed and Engineered in the U.S.A
Made in China



LED Lighting Solutions

LPN000006
Rev. E

www.creells.com